



DALI



CE



A+++

A++

A+

Product Name: Forza High Bay**Product Code:** MHB-5**Model No:** 15000175**Product Specification / Ürün Özellikleri****Forza High Bay****Installation Type :** Surface Mounted / Suspendant / Busbar**Body and Heatsink :** Aluminium Extrusion Body and aluminium injection driver caps**Glass Type :** Temperli Glass**Lens :** PMMA**Body Color :** Electrostatic Powder Coating**Led Type:** SMD Led**Led Brands :** Seoul / Osram**Driver Brands :** Inventronics / Meanwell**Dimming Options :** StepDIM / AstroDIM / Mains DIM / DALI / 0-10V/ PWM**Protection Type :** IP65 / IK08 (Glass) / IK10 (Body)**Product Dimensions :** H:110mm W:120mm**Screws :** Stainless stell**Forza High Bay****Montaj Tipi :** Sıvaüstü / Sarkıt / Busbar**Gövde ve Soğutucu :** Alüminyum Ekstrüzyon Gövde ve alüminyum enjeksiyon sürücü kapağı**Cam Çeşidi :** Tempered Glass**Lens :** PMMA**Gövde Rengi :** Elektrostatik Toz Boya**Led Tipi:** SMD Led**Led Markaları :** Seoul / Osram**Sürücü Markaları :** Inventronics / Meanwell /**Dim Opsiyonları :** StepDIM / AstroDIM / Mains DIM / DALI / 0-10V/ PWM**Koruma Sınıfı :** IP65 / IK08 (Cam) / IK10 (Gövde)**Ürün Ölçüleri :** Y:110mm G:120mm**Vidalar :** Paslanmaz çelik

-Long life due to thermal design cooling block

-Tempered / polycarbonate glass with pressure and heat resistance feature

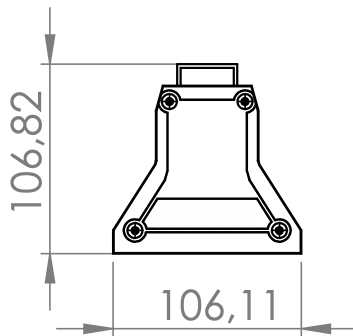
-Solid aluminum injection-molded body with high level of heat transmittance

-Stainless assembly accessories and screws

-User-friendly socket system

-Silicon cable, resistant to internal and external temperature factors, and insulated rubber cabling

-Electrostatic paint with different available colours, which is resistant to atmospheric conditions and- whose surface treatment is completed



	3000K Lumen	4000K Lumen	5000K Lumen	Lenght	Watt	CRI
Seoul / Osram	4800 lm	5100 lm	5600 lm	600mm	40 Watt	>82
Seoul / Osram	7600 lm	8000 lm	8400 lm	600mm	65 Watt	>82
Seoul / Osram	9500 lm	10000 lm	10500 lm	900mm	75 Watt	>82
Seoul / Osram	13300 lm	14900 lm	15400 lm	1200mm	110 Watt	>82
Seoul / Osram	19800 lm	20400 lm	20900 lm	1500mm	150 Watt	>82

* Please check website for lens options.